



Compact Fluorescent

Eclipse

Close-To-Ceiling

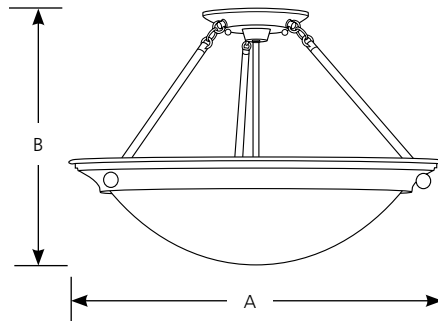
Catalog No.	Finish		Lamping	Dimensions (Inches)	
	Antique Bronze			A	B
P7319	-20WB		3-26w Quad CF (4-pin) (included)	19-3/8	13-1/4
P7320	-20WB		4-26w Quad CF (4-pin) (included)	27-3/8	20-1/2

Type _____

-20WB

P7319

P7320



Specifications:

General

- Satin white glass bowl
- Painted Antique Bronze (-20WB) finish
- Three Quad CF (4-pin) 26w lamps (included)
- Steel construction
- Ideal for 9-foot ceilings or higher
- Companion foyer, semi-flush and wall sconce
- Energy Star Certified

Mounting

- Ceiling semi-flush mount
- Fixture housing covers a standard 4" octagonal recessed outlet box
- Canopy: 5-1/2" dia.
- Mounting strap for outlet box included
- Keyhole slots for easy fixture mounting
- (3) glass retaining clips

Electrical

- Pre-wired
- 120V NPF electronic ballast
- G24q-3 base sockets

Labeling

- cCSAus Dry location listed



Progress Lighting
701 Millennium Blvd.
Greenville, South Carolina
29607

www.progresslighting.com

Rev. 02/13