

Z-1090 LED

Wall Mounted • Wet Location Listed **PROGRESS LED**

Description:

Z-1090 LED Collection Black One-Light Medium Wall Lantern

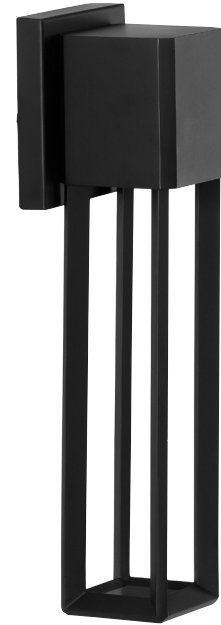
Specifications:

- Dimmable to 10% brightness (See Dimming Notes)
- Canopy covers a standard 4" recessed outlet box: 4.5 in W., 5 in ht., 0.812 in depth
- Mounting backplate for outlet box included
- 6 in of wire supplied
- Dark Sky compliant

Performance:

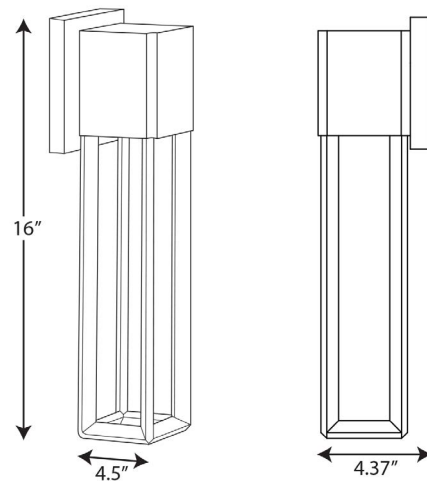
Number of Modules	1
Input Power	9 W
Input Voltage	120 V
Input Frequency	60 Hz
Lumens/LPW (Source)	624/66 (LM-82)
CCT	3000 K
CRI	90 CRI
Life (hours)	60000 (L70/TM-21)
EMI/RFI	FCC Title 47, Part 15, Class B
Warranty	5-year Limited Warranty
Labels	cCSAus Wet Location Listed
	Meets California Title 24 JA8-2016

P560137-031-30



Dimensions:

Width: 4-1/2 in
Depth: 4-3/8 in
Height: 16 in
H/CTR: 2-1/2 in



P560137-031-30

Dimming Notes:

P560137-031-30 is designed to be compatible with many Triac/Forward Phase ELV/Reverse Phase controls.

The following is a partial list of known compatible dimmer controls.

Dimming Controls:

Lutron_Diva DVELV-300P

Lutron_Nova T NTELV-300

Lutron_Caseta

Lutron_Ariadni AY-600P

Leviton_Illumatech IPI06-1LZ

Leviton_SureSlide 6672

Lutron_Ariadni AYCL-153P

Lutron_Skylark Contour CTCL-153P

Lutron_Diva DVCL-153P

Lutron_Toggler TGCL-153P

Lutron_Maestro MACL-153M

Lutron_Ariadni AYLV-600P

Lutron_Nova T NTLV-600

Lutron_Maestro MAELV-600

Lutron_spacer/system SPSELV-600

Leviton_Renoir II AWRMG-EAW

Lutron_Nova N-600

Dimming capabilities will vary depending on the dimmer control, load, and circuit installation.

Always refer to dimmer manufacturer instructions or a controls specialist for specific requirements.

Dimmer control brand names where identified above are trade names or registered trademarks of each respective company.