



Description:

Sleek, 3" LED cylindrical wall lantern with up/downlight in elegant Antique Bronze finish. Die-cast aluminum wall brackets and heavy-duty aluminum framing. Fade and chip-resistant. UL listed for wet locations. Can be used indoor or outdoor.

Specifications:

- Clear glass lens
- 3" LED wall mount up/downlight cylinder
- This sleek, contemporary cylinder is ideal for indoor or outdoor applications
- An Antique Bronze finish complements a variety of exteriors
- Warm white, 3000K, color temperature, 90 CRI
- 1484 lumens, 62 lumens per watt (delivered)
- Die Cast Aluminum construction with durable powder coated finish
- Dimmable to 10% brightness with many Forward Phase (Triac) and Reverse Phase (ELV) dimmers
- Energy Star Qualified
- Meets California T24 JA8-2016.
- Dimmable to 10% brightness (See Dimming Notes)
- Back plate covers a standard 4" recessed outlet box: 4.378 in W., 4.378 in ht., 0.86 in depth
- Mounting strap for outlet box included
- 6 in of wire supplied

Performance:

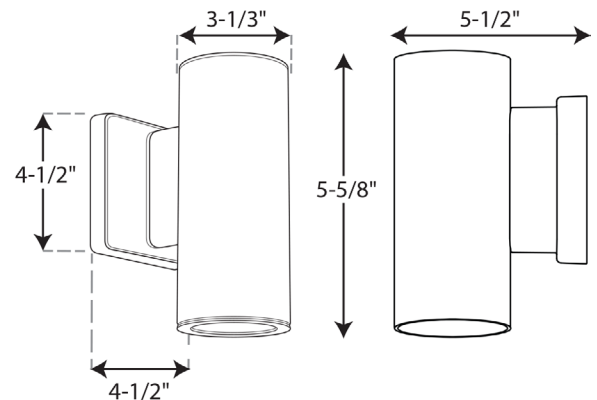
Number of Modules	2
Input Power	12 W
Input Voltage	120 V
Input Frequency	60 Hz
Lumens/LPW (Delivered)	1,484/62 (LM-79)
CCT	3000 K
CRI	90 CRI
Life (hours)	50000 (L70/TM-21)
EMI/RFI	FCC Title 47, Part 15, Class B
Max. Operating Temp	40 °C
Warranty	5-year Limited Warranty
Labels	CSA Wet Location Listed
	ENERGY STAR® qualified
	Meets California Title 24 JA8-2016

P563001-020-30K



Dimensions:

Width: 4-1/2 in
 Height: 8-1/4 in
 Depth: 5-1/2 in
 H/CTR: 5 in

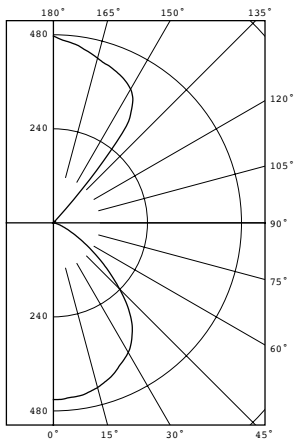


Photometrics:

P563001-020-30K

ELECTRICAL DATA	P563001-020-30K
Input Voltage	120 V
Input Frequency	60 Hz
Input Current	0.202 A
THD	<20%
EMI/RFI	FCC Title 47, Part 15, Class B
Operating Temperature	-10 °C
Dimming	Yes*
Over-voltage, over-current, short-circuit protected	
*See Dimming Notes for more information	

P563001-020-30K
 LED Light Engine: 3000 K 90 CRI
 System Wattage: 24
 Fixture delivered lumens: 1484
 Fixture Efficacy: 62
 Spacing Criteria: 1.25



CANDELA DISTRIBUTION

DEG	CANDELA	LUMENS
0	451	
5	448	43
15	435	123
25	401	185
35	350	218
45	239	183
55	113	103
65	39	40
75	10	12
85	1	1
90	0	
95	0	0
105	1	1
115	1	1
125	4	3
135	6	16
145	345	198
155	412	190
165	435	123
175	463	44
180	477	

ZONAL LUMEN SUMMARY

ZONE	LUMENS	%FIXT
0-30	351	23.6
0-40	568	38.3
0-60	855	57.6
0-90	908	61.2
90-120	2	0.1
90-130	6	0.4
90-150	220	14.8
90-180	576	38.8
0-180	1484	100.0

Test 17.02586 Test Date 10/10/17

P563001-020-30K

Dimming Notes:

P563001-020-30K is designed to be compatible with many Triac/Forward Phase ELV/Reverse Phase controls.

The following is a partial list of known compatible dimmer controls.

Dimming Controls:

Lutron_Diva DVELV-300P

Lutron_Caseta Wireless

Leviton_SureSlide 6672

Lutron_Ariadni AYCL-153P

Lutron_Toggler TGCL-153PH-WH

Dimming capabilities will vary depending on the dimmer control, load, and circuit installation.

Always refer to dimmer manufacturer instructions or a controls specialist for specific requirements.

Dimmer control brand names where identified above are trade names or registered trademarks of each respective company.