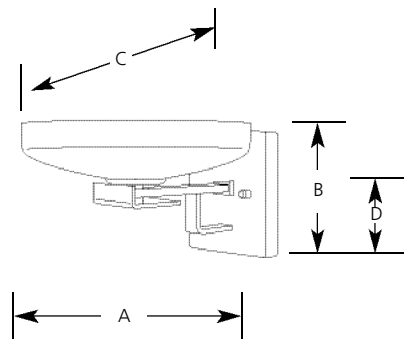
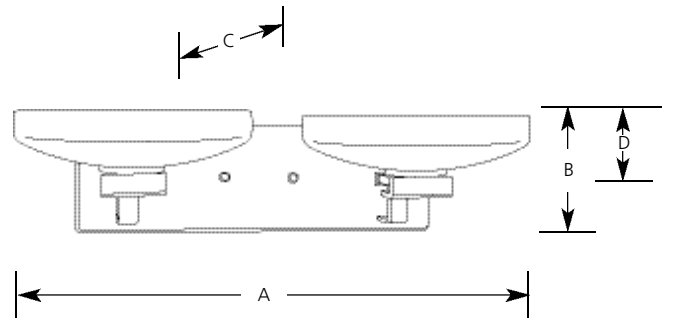


Type _____
 -09
 P3149
 P3150
 P3151
 P3152

Catalog No.	Finish	Bowls	Lamping	Dimensions (Inches)			
				A	B	C	D
P3149	-09	1	2 (c) 60w	9-5/8	5-1/2	11	3-1/4
P3150	-09	2	4 (c) 60w	22	5-1/2	11	3-1/4
P3151	-09	3	6 (c) 60w	33	5-1/2	11	3-1/4
P3152	-09	4	44-1/2	5-1/2	11	3-1/4	



P3149



P1350

Specifications:

General

- Shallow opal etched bowls (each contains two lamps)
- Minimalist linear styling
- Full width back plate
- Brushed nickel plated finish
- Steel construction
- Companion fixtures: Hall and foyer, chandelier, pendant, and close to ceiling.

Electrical

- Pre-wired
- Phenolic candelabra base sockets

Labeling

- UL-CUL damp location listed

Mounting

- Wall mounted
- Back Plate covers a standard 4" hexagonal outlet box
- Mounting hardware is included